

Thermal Cut-Out SN-6

SN-6 Series safety cut-out is designed to offer the ultimate thermal overload protection for a wide variety of domestic appliance manufacturers. SN-6 is capable of carrying resistive loads of 10 Amps at 230 Volts AC. The SN-6 is the perfect cut-out to provide rapid thermal response so essential for safety applications. The set temperature range is from 50°C to 160°C with a ±10°C tolerance.

Features

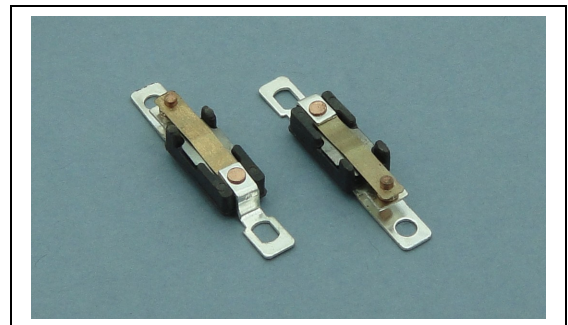
- Small size
- Open design
- Temperature control and overheating protection
- High thermal sensitivity
- Compact size
- Long contact life
- Fast response to radiant heat

Applications

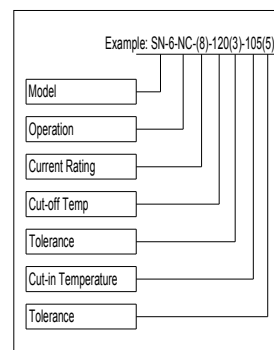
- Cable reels
- Hair dryers
- Heaters - fan, convector, panel etc
- Pop corn makers.

Specifications:

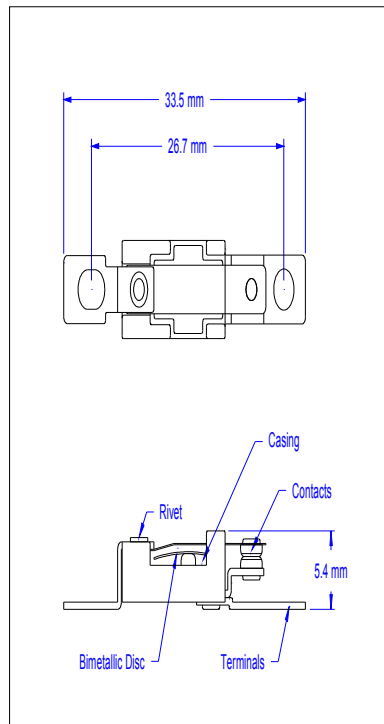
Rated Voltage	230VAC
Rated Current	10A
Operating cycles	10,000 cycles
Cut-off Temperature	50°C to 160°C
Tolerance	+/- 5°C
Differential Temperature	30 - 40°C



Selection code:



Line diagram:



UTILITI CONTROLS

9, Mercantile, Above HSBC Bank, Gidwani Road, Chembur, Mumbai 400 074, INDIA.

Phone: 91-22-2520-6836 • Fax: 91-22-2520-0109

E-mail: utilt@mtnl.net.in, utiliticontrols@gmail.com

These instructions do not purport to cover all the details or variations in the equipment described, nor do they provide for every possible contingency to be met in connection with installation, operation and maintenance. All specifications are subject to change without notice. www.utiliticontrols.com
Should further information be desired or should particular problems arise which are not covered sufficiently for the purchaser's purposes, the matter should be referred to Utiliti Controls, Mumbai.